

[www.ersatzteil-service.de](http://www.ersatzteil-service.de)

[www.ersatzteilplan.de](http://www.ersatzteilplan.de)

# IBEA

Serie: dal n. 1201

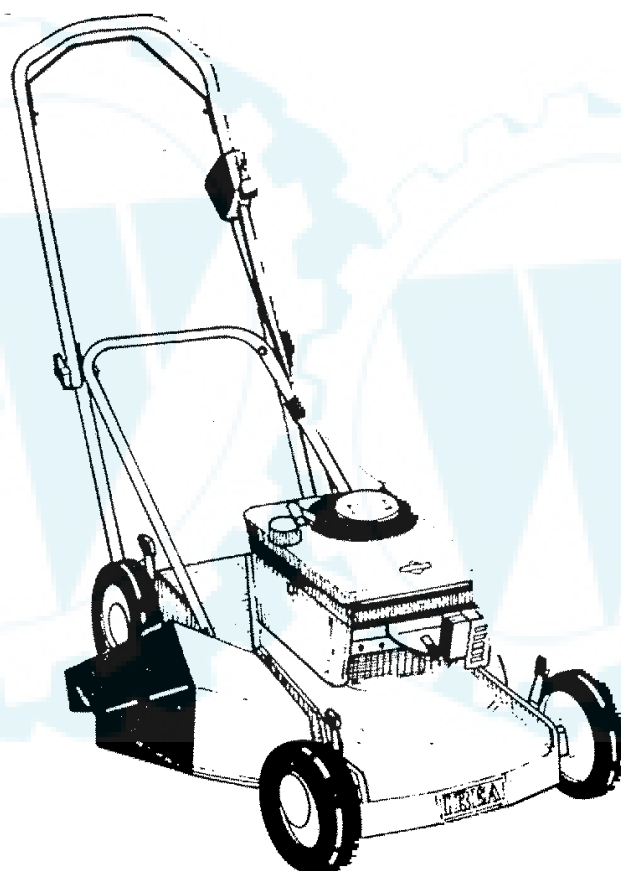
Stampato n. P5090069

LISTA RICAMBI

SPARE PART LIST

ERSATZTEILLISTE

LISTE DES PIECES DE RECHANGE



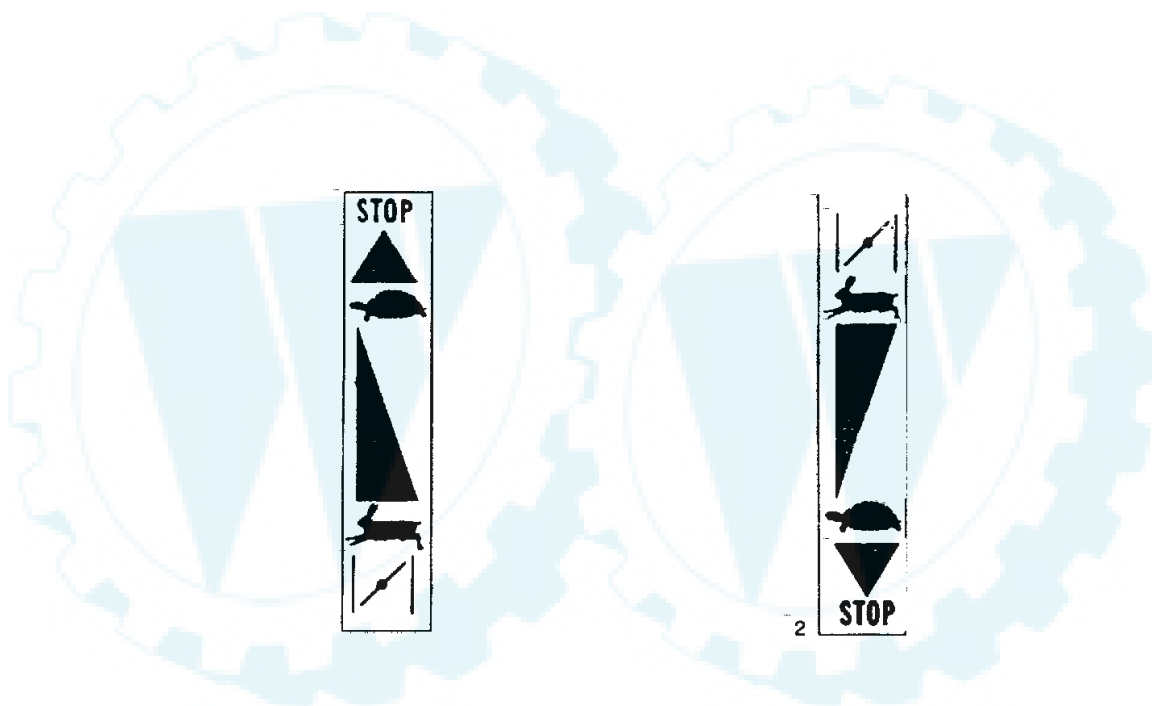
**SCARICO LATERALE**  
**SERIE 530**

Mod. ENDURO  
Mod. COUNTRY



Ihr Ersatzteilspezialist im Internet

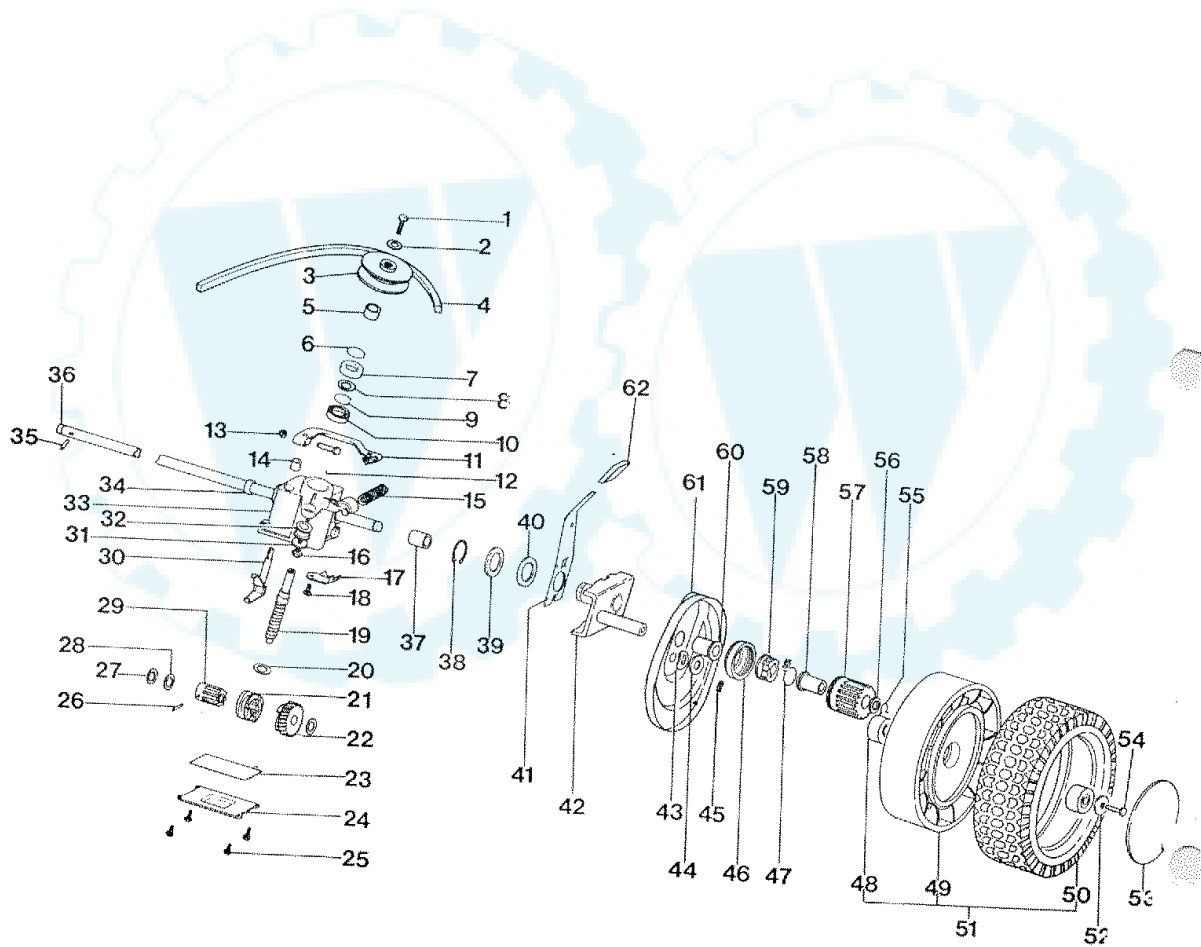
REF. N°	PART. N°	QTY	DESCRIZIONE	DESCRIPTION	DESCRIPTION	BESCHREIBUNG
1	P5140515	1	DECALCO	DECAL	MARQUAGE	AUFKLEBER
2	P5140516	1	DECALCO	DECAL	MARQUAGE	AUFKLEBER
3	P5140005	1	DECALCO	DECAL	MARQUAGE	AUFKLEBER
4	P5140006	1	DECALCO	DECAL	MARQUAGE	AUFKLEBER
*	P5090068	1	MANUALE ISTRUZIONI	INSTRUCTION MANUAL	MODE D'EMPLOI	BEDIENUNGSANLEITUNG
*	P5110008	1	CHIAVE CANDELA 21	KEY 21	CLEF 21	SCHLUESSEL 21



REF. N°	PART. N°	QTY	DESCRIZIONE	DESCRIPTION	DESCRIPTION	BESCHREIBUNG
1		1	MOTORE	ENGINE	MOTEUR	MOTOR
2	P1050011	3	DADO	NUT	ECROU	MUTTER
3	P01070943	1	RICCIOLO GUIDA CORDA	ROPE GUIDE	GUIDE-FIL	SEILFUEHRUNG
4	1050002A1	2	DADO	NUT	ECROU	MUTTER
5	P1010148	2	VITE	SCREW	VIS	SCHRAUBE
6	2020050A1	2	GALLETTO	KNOB	POIGNEE	MUTTER
7	P02070251	2	STEGOLA INF.	LOWER HANDLEBAR	GUIDON INF.	HOLMUNTERTEIL
8	P1010125	2	VITE	SCREW	VIS	SCHRAUBE
9	P1050011	2	DADO	NUT	ECROU	MUTTER
10	P02071151	1	RINFORZO STEGOLA	REINFORCEMENT	REINFORCEMENT	VERSTAERKUNG
11	1010003A1	2	VITE	SCREW	VIS	SCHRAUBE
12	P2020062	2	COPRIMOZZO	COVER	COUVERCLE	DECKEL
13	1010018A1	2	VITE	SCREW	VIS	SCHRAUBE
14	1020007A1	2	RONDELLA	WASHER	RONDELLE	SCHIEBE
15	P2020083	2	COPERTONE	TYRE	PNEU	REIFEN
16	P3030013	4	CUSCINETTO	BEARING	PALIER	LAGER
17	P2020082	2	CERCHIO	WHEEL HUB	JANTE	FELGE
18	P2020128	2	COPRI RUOTA	WHEEL COVER	PROTECTION	ABDECKUNG
19	P00015176	2	RUOTA ANT. COMPL.	COMPLETE FRONT WHEEL	ROUE ANT. COMPL.	RAD KOMPL.
	P2020088	2	DISTANZIALE	SPACER	DOUILLE	ABSTANDSSTUECK
	P1020050	2	RONDELLA	WASHER	RONDELLE	SCHIEBE
22	P4020028	2	PORTA RUOTA ANT.	FRONT WHEEL SUPPORT	SUPPORT ROUE ANT.	RADHALTER
23	P1050012	2	DADO	NUT	ECROU	MUTTER
24	P3040119	2	BUSSOLA	BUSHING	DOUILLE	BUECHSE
25	P4020039	1	LEVA ALZA RUOTA ANT. SX	LEFT FRONT LEVER	LEVIER ANT. GAUCHE	HEBEL L.
25	P4020038	1	LEVA ALZA RUOTA ANT. DX	RIGHT FRONT LEVER	LEVIER ANT. DROITE	HEBEL R.
26	P1010116	2	VITE	SCREW	VIS	SCHRAUBE
27	P3040118	2	BUSSOLA	BUSHING	DOUILLE	BUECHSE
28	P2020077	1	POMELLO	KNOB	POIGNEE	ABDECKUNG
29	P1050011	2	DADO	NUT	ECROU	MUTTER
30	P02006451	1	SCOCCHA	DECK	CHASSIS	GEHAEUSE
31	P1010076	4	VITE	SCREW	VIS	SCHRAUBE
32	P2020141	1	CARTER COPRICINGHIA	BELT COVER	PROTECTION	ABDECKUNG
33	P1060004	2	STARLOCK	STARLOCK	STARLOCK	STARLOCK
34	P00020351	1	CERNIERA	HINGE	CHARNIERE	SCHARNIER
35	P01027251	1	ASTINA	SHAFT	ARBRE	ACHSE
36	P3020022	1	MOLLA PER PORTELLO	SPRING	RESSORT	FEDER
37	P3040203	2	DISTANZIALE	SPACER	DOUILLE	ABSTANDSSTUECK
38	P00020151	1	DEFLETTORE	SHIELD	PLAQUE DE PROTECTION	SCHUTZ
39	P1050014	2	DADO	NUT	ECROU	MUTTER
40	P1060012	2	STARLOCK	STARLOCK	STARLOCK	STARLOCK
	P1010150	2	VITE	SCREW	VIS	SCHRAUBE
	P2020138	1	TARGHETTA IBEA	IBEA PLAQUE	IBEA PLAQUE	IBEA AUFKLEBER
43	1020014A1	3	RONDELLA	WASHER	RONDELLE	SCHIEBE
44	P1010097	2	VITE x B&S QUANTUM	SCREW x B&S QUANTUM	VIS x B&S QUANTUM	SCHRAUBE x B&S QUANTUM
44	P1010092	1	VITE x B&S QUANTUM	SCREW x B&S QUANTUM	VIS x B&S QUANTUM	SCHRAUBE x B&S QUANTUM
44	P1010101	3	VITE x B&S 2 T.	SCREW x B&S 2 T.	VIS x B&S 2 T.	SCHRAUBE x B&S 2 T.
45	P1090003	1	CHIAVETTA	KEY	CLAVETTE	SCHIEBENFEDER
46	P3040103	1	BUSSOLA LAMA	BLADE BUSHING	DOUILLE DE COUTEAU	MESSERBUECHSE
47	P4050019	1	LAMA	BLADE	COUTEAU	MESSER
48	1110002A1	1	MOLLA TAZZA	SPRING	RESSORT	FEDER
49	1020015A1	1	ROSETTA ELASTICA	SPRING WASHER	RONDELLE ELAST.	FEDERSCHIEBE
50	P1010128	1	VITE LAMA	BLADE SCREW	VIS DE COUTEAU	MESSERSCHRAUBE

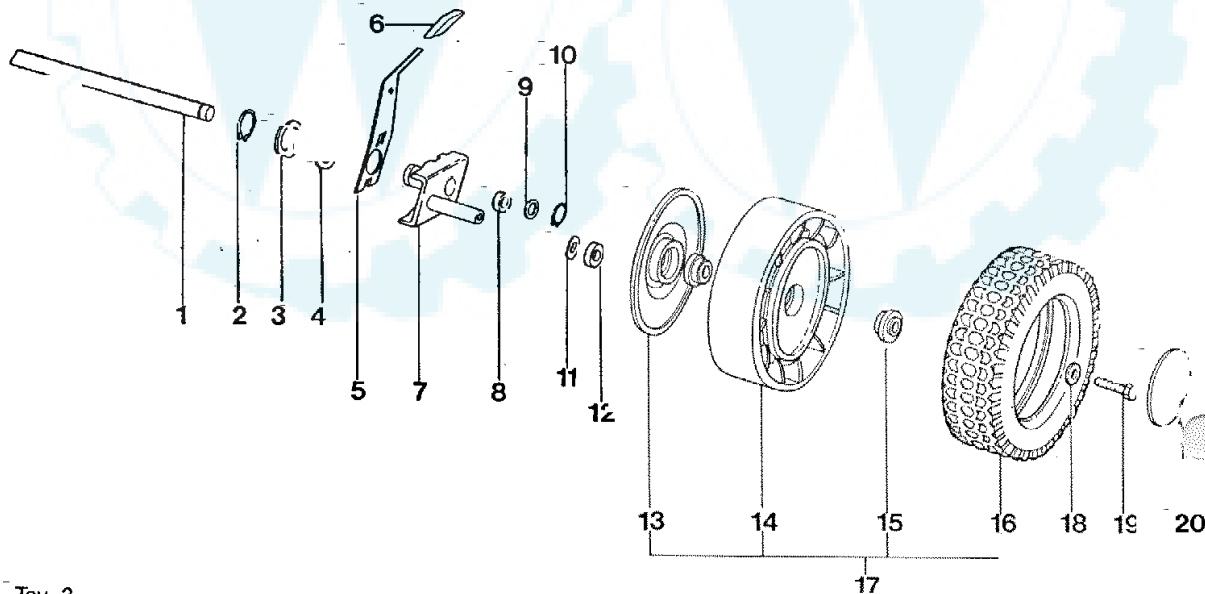
Tav. 2

Vista assale posteriore e riduttore COUNTRY



REF. N°	PART. N°	QTY	DESCRIZIONE	DESCRIPTION	DESCRIPTION	BESCHREIBUNG
1	1010018A1	1	VITE	SCREW	VIS	SCHRAUBE
2	1020007A1	1	RONDELLA	WASHER	RONDELLE	SCHIBE
3	P3040048	1	PULEGGIA	PULLEY	POULIE	RIEMENSCHIBE
4	P3010019	1	CINGHIA TRASMISSIONE	TRANSMISSION BELT	COURROIE DE TRANSMISSION	RIEMEN
5	P3040049	1	BUSSOLA DISTANZIALE	BUSHING	DOUILLE	BUECHSE
6	P3170013	1	OR 2043	O RING 2043	JOINT TORIQUE 2043	GUMMIRING 2043
7	P3170010	1	PARAOILIO	OIL SEAL	JOINT D'ARBRE	WELLENDICHTRING
8	P1020051	1	SPESSORE	WASHER	RONDELLE	SCHIBE
9	P1070004	1	SEEGER	CIRCLIP	SEEGER	SEEGER
10	P3030010	1	CUSCINETTO	BEARING	PALIER	LAGER
11	P4070011	1	LEVA PER RIDUTTORE	LEVER	LEVIER	HEBEL
12	P1010075	1	VITE	SCREW	VIS	SCHRAUBE
13	1050003A1	1	DADO	NUT	ECROU	MUTTER
14	P3170012	1	PARAOILIO	OIL SEAL	JOINT D'ARBRE	WELLENDICHTRING
15	P3020010	1	MOLLA	SPRING	RESSORT	FEDER
16	P1010073	1	VITE	SCREW	VIS	SCHRAUBE
17	P4030010	1	COPERCHIO MOLLA	SPRING COVER	COUVERCLE	FEDERHALTER
18	P1010076	1	VITE	SCREW	VIS	SCHRAUBE
19	P3040042	1	VITE SENZA FINE	WORM GEAR	VIS SANS FIN	SCHNECKE
20	P1020053	1	SPESSORE	WASHER	RONDELLE	SCHIBE
21	P00038099	1	INNESTO	SELECTOR COLLAR	MANCHON	SCHALTBUECHSE
22	P00038199	1	CORONA	WORM WHEEL	ROUE POUR VIS S. FIN	SCHNECKENRAD
23	P3170014	1	OR	O RING	JOINT TORIQUE	GUMMIRING
24	P4110001	1	COPERCHIO SCATOLA	BOX COVER	COUVERCLE	DECKEL
25	P1010076	4	VITE T.E.	SCREW T.E.	VIS T.E.	SCHRAUBE T.E.
26	P1080007	1	SPINA	PIN	GOUPILLE	STIFT
27	1020020A1	2	SPESSORE	WASHER	RONDELLE	SCHIBE
28	P1020051	1	SPESSORE	WASHER	RONDELLE	SCHIBE
29	P3050030	1	BUSSOLA SCANALATA	BUSHING	DOUILLE CANNELEE	KEILHUELSE
30	P3040041	1	FORCELLA INNESTO	FORK	FOURCHE	GABEL
31	P1020054	1	RONDELLA	WASHER	RONDELLE	SCHIBE
32	P2040010	1	GOMMINO	RUBBER TUBE	TUBE DE PROTECTION	SCHUTZHUELLE
33	P00039199	1	SCATOLA RIDUTTORE	GEAR BOX	BOITE DE REDUCTEUR	UNTERSETZUNGSGETRIEBE
34	P3170011	2	PARAOILIO	OIL SEAL	JOINT D'ARBRE	WELLENDICHTRING
35	P1080004	2	SPINA ALBERO TRASM.	PIN	GOUPILLE	STIFT
36	P3040075	1	ALBERO DI TRASM.	TRANSMISSION SHAFT	ARBRE DE TRANSMISSION	WELLE
37	3030003A1	2	CUSCINETTO	BEARING	PALIER	LAGER
38	P1070008	2	SEEGER	CIRCLIP	SEEGER	SEEGER
39	P1020057	2	DISTANZIALE	SPACER	DOUILLE	ABSTANDSSTUECK
40	P1020058	2	DISTANZIALE	SPACER	DOUILLE	ABSTANDSSTUECK
41	P4020019	1	LEVA ALZA RUOTA POST. SX	LEFT REAR WHEEL LEVER	LEVIER ROUE POST. GAUCHE	RADHEBEL L.
41	P4020020	1	LEVA ALZA RUOTA POST. DX	RIGHT REAR WHEEL LEVER	LEVIER ROUE POST. DROITE	RADHEBEL R.
42	P4020029	2	PORTA RUOTA	WHEEL SUPPORT	SUPPORT	RADHALTER
43	P1020050	2	RONDELLA ELASTICA	SPRING WASHER	RONDELLE ELAST.	FEDERSCHIBE
44	P2020088	2	DISTANZIALE PER RUOTA	WHEEL SPACER	DOUILLE	ABSTANDSSTUECK
45	P2110001	4	SALTARELLO	CAM	CLIQUET	NOCKEN
46	P2020060	2	COPRIPIGNONE	CAGE	CAGE	KAEFIG
47	P3020012	2	MOLLA	SPRING	RESSORT	FEDER
48	P3030013	4	CUSCINETTO RUOTA	WHEEL BEARING	PALIER	LAGER
49	P2020084	2	CERCHIO	WHEEL HUB	JANTE	FELGE
50	P2020083	2	COPERTONE	TYRE	PNEU	REIFEN
51	P00015276	2	RUOTA COMPL.	WHEEL ASSY.	ROUE COMPL.	RAD KOMPL.
52	1020007A1	2	RONDELLA	WASHER	RONDELLE	SCHIBE
53	P2020062	2	COPRIMOZZO	COVER	COUVERCLE	DECKEL
54	1010018A1	2	VITE PER RUOTA	WHEEL SCREW	VIS POUR ROUE	RADSCHRAUBE
55	1070001A1	2	SEEGER	CIRCLIP	SEEGER	SEEGER
56	1020020A1	2	SPESSORE	WASHER	RONDELLE	SCHIBE
57	P3050031	2	PIGNONE	PINION	PIGNON	RITZEL
58	P2020059	2	BUSSOLA	BUSHING	DOUILLE	BUECHSE
59	P2100001	2	CRICCHETTO	DRIVER	CLIQUET	MITNEHMER
60	P2020070	2	BUSSOLA	BUSHING	DOUILLE	BUECHSE
61	P4030011	2	COPRI RUOTA	WHEEL COVER	PROTECTION	ABDECKUNG
62	P2020077	4	POMELLO PER LEVA	KNOB	POIGNEE	ABDECKUNG
*	P00078668	1	SCATOLA RIDUTTORE COMPL.	COMPLETE GEAR BOX	BOITE DE REDUCTEUR COMPL.	UNTERSETZUNGSGETRIEBE

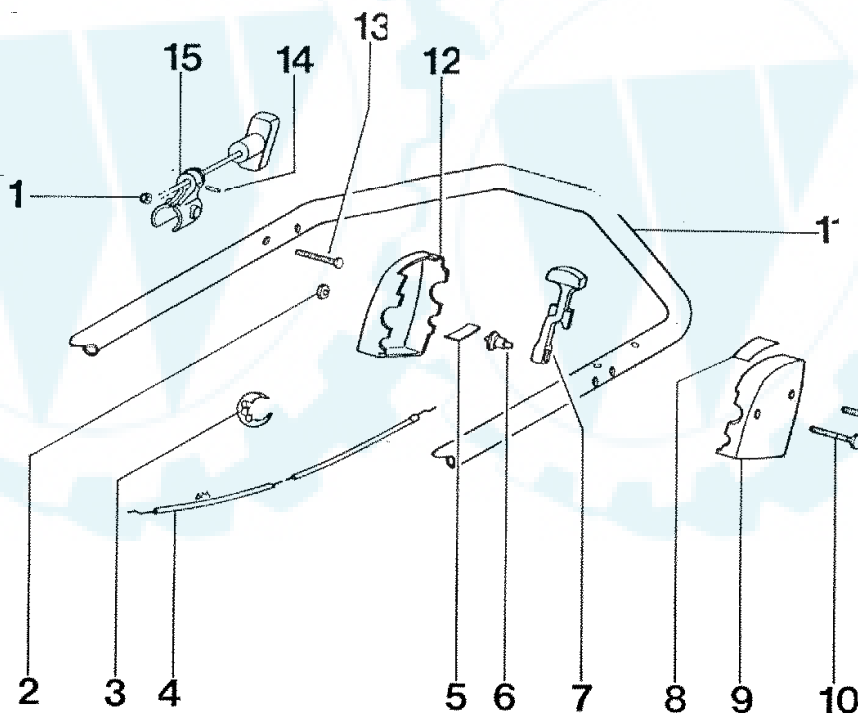
REF. N°	PART. N°	QTY	DESCRIZIONE	DESCRIPTION	DESCRIPTION	BESCHREIBUNG
1	P3040078	1	ALBERO	SHAFT	ARBRE	WELLE
2	P1070008	2	SEGER	CIRCLIP	SEGER	SEGER
3	P1020057	2	DISTANZIALE	SPACER	DOUILLE	ABSTANDSSTUECK
4	P1020058	2	DISTANZIALE	SPACER	DOUILLE	ABSTANDSSTUECK
5	P4020019	1	LEVA POST. SX	LEFT REAR LEVER	LEVIER POST. GAUCHE	HEBEL L.
5	P4020020	1	LEVA POST. DX	RIGHT REAR LEVER	LEVIER POST. DROITE	HEBEL R.
6	P2020077	2	POMELLO LEVA	KNOB	POIGNEE	ABDECKUNG
7	P4020029	2	PORTA RUOTA POST.	REAR WHEEL SUPPORT	SUPPORT ROUE POST.	RADHALTER
8	1030002A1	2	BUSSOLA	BUSHING	DOUILLE	BUECHSE
9	1020020A1	SQ	SPESSORE	WASHER	RONDELLE	SCHEIBE
10	1070001A1	2	SEGER	CIRCLIP	SEGER	SEGER
11	P1020050	2	RONDELLA ELASTICA	SPRING WASHER	RONDELLE ELAST.	FEDERSCHEIBE
12	P2020088	2	DISTANZIALE	SPACER	DOUILLE	ABSTANDSSTUECK
13	P2020128	2	COPRI RUOTA	WHEEL COVER	PROTECTION	ABDECKUNG
14	P2020082	2	CERCHIO	WHEEL HUB	JANTE	FELGE
15	P3030013	4	CUSCINETTO	BEARING	PALIER	LAGER
16	P2020083	2	COPERTONE	TYRE	PNEU	REIFEN
17	P00015176	2	RUOTA COMPL.	WHEEL ASSY.	ROUE COMPL.	RAD KOMPL.
18	102007A1	2	RONDELLA	WASHER	RONDELLE	SCHEIBE
19	1010018A1	2	VITE	SCREW	VIS	SCHRAUBE
20	P2020062	2	COPRIMOZZO	COVER	COUVERCLE	DECKEL



Tav. 3

Vista assale posteriore ENDURO

REF. N°	PART. N°	QTY	DESCRIZIONE	DESCRIPTION	DESCRIPTION	BESCHREIBUNG
1	1050002A1	1	DADO	NUT	ECROU	MUTTER
2	1050003A1	2	DADO	NUT	ECROU	MUTTER
3	P2020080	1	FERMA CAVO	CLIP	CLIP	HALTER
4	P5020049	1	CAVO ACCELERATORE PER 5364	THROTTLE CABLE FOR 5364	CABLE DE GAZ POUR 5364	GASHEBEL FUER 5364
5	P4010059	1	MOLLA	SPRING	RESSORT	FEDER
6	P2020108	1	PERNO	BOLT	BOULON	STIFT
7	P00065099	1	LEVA	LEVER	LEVIER	HEBEL
8	P5140515	1	DECALCO	DECAL	MARQUAGE	AUFKLEBER
9	P2020107	1	SEMISCATOLA SX	HOUSING LEFT	BOITE GAUCHE	SCHALE L.
10	P1010102	2	VITE	SCREW	VIS	SCHRAUBE
11	P02070143	1	STEGOLA SUP.	UPPER HANDLEBAR	GUIDON SUP.	OB. FUEHRUNGSHOLM
12	P2020106	1	SEMISCATOLA DX	HOUSING RIGHT	BOITE DROITE	SCHALE R.
13	1010002A1	1	VITE	SCREW	VIS	SCHRAUBE
14	P1080008	1	SPINA	PIN	GOUPILLE	STIFT
15	P00064599	1	SUPPORTO	SUPPORT	SUPPORT	HALTER
*	P00035099	1	SCATOLA ACC. COMPL.	THROTTLE ASSY.	BOITE DE GAZ COMPL.	GASHEBEL KOMPL.



Tav. 4

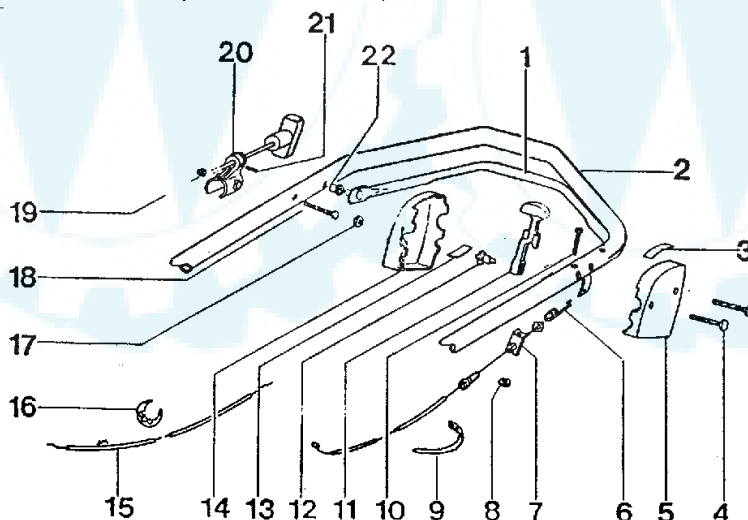
Vista stegola superiore e comandi ENDURO

Upper handle and controls ENDURO

Mancheron partie supérieur et éléments de commande ENDURO

Lenkeroberteil und Bedienungselemente ENDURO

REF. N°	PART. N°	QTY	DESCRIZIONE	DESCRIPTION	DESCRIPTION	BESCHREIBUNG
1	P02042181	1	MANIGLIA TRAZIONE	TRACTION LEVER	LEVIER DE TRACTION	ANTRIEBSHEBEL
2	PC02070143	1	STEGOLA SUP	UPPER HANDLEBAR	GUIDON SUP.	OB. FUEHRUNGSHOLM
3	P5140515	1	DECALCO	DECAL	MARQUAGE	AUFKLEBER
3	P5140516	1	DECALCO	DECAL	MARQUAGE	AUFKLEBER
4	P1010102	2	VITE	SCREW	VIS	SCHRAUBE
5	P2020107	1	SEMISCATOLA SX	HOUSING LEFT	BOITE GAUCHE	SHALE L.
6	P5010029	1	CAVO TRAZIONE	TRACTION CABLE	CABLE DE TRACTION	ANTRIEBSKABEL
7	P4010060	1	PIASTRINA	PLATE	PLAQUE	PLATTE
8	1050003A1	1	DADO	NUT	ECROU	MUTTER
9	5040001A1	1	FASCETTA	CLAMP	BRIDE	RAPPBAND
10	P1010078	1	VITE	SCREW	VIS	SCHRAUBE
11	P00065099	1	LEVA	LEVER	LEVIER	HEBEL
12	P2020108	1	PERNO	BOLT	BOULON	STIFT
13	P4010059	1	MOLLA	SPRING	RESSORT	FEDER
14	P2020106	1	SEMISCATOLA DX	HOUSING RIGHT	BOITE DROITE	SCHALE R.
15	P5020048	1	CAVO ACCELERATORE PER 5362	THROTTLE CABLE FOR 5362	CABLE DE GAZ POUR 5362	GASHEBEL FUER 5362
15	P5020049	1	CAVO ACCELERATORE PER 5366	THROTTLE CABLE FOR 5366	CABLE DE GAZ POUR 5366	GASHEBEL FUER 5366
16	P2020080	1	FERMA CAVO	CLIP	CLIP	HALTER
17	1050003A1	2	DADO	NUT	ECROU	MUTTER
18	P1010102	2	VITE	SCREW	VIS	SCHRAUBE
19	1050002A1	1	DADO	NUT	ECROU	MUTTER
20	P00064599	1	SUPPORTO	SUPPORT	SUPPORT	HALTER
21	P1080008	1	SPINA	PIN	GOUPILLE	STIFT
22	P2020153	2	BUSSOLA PER MANIGLIA	BUSHING	DOUILLE	BUECHSE
*	P00035099	1	SCATOLA ACC. COMPL.	THROTTLE ASSY.	BOITE DE GAZ COMPL.	GASHEBEL KOMPL.



Tav. 5

Vista stegola superiore e comandi COUNTRY

Upper handle and control COUNTRY

Mancheron partie supérieur et éléments de commande COUNTRY

Lenkeroberteil und Bedienungselemente COUNTRY

Ihr Ersatzteilspezialist im Internet



Tav. 1

Vista generale ENDURO-COUNTRY  
Complete machine ENDURO-COUNTRY  
Vue d'ensemble ENDURO-COUNTRY  
Gesamtansicht ENDURO-COUNTRY

